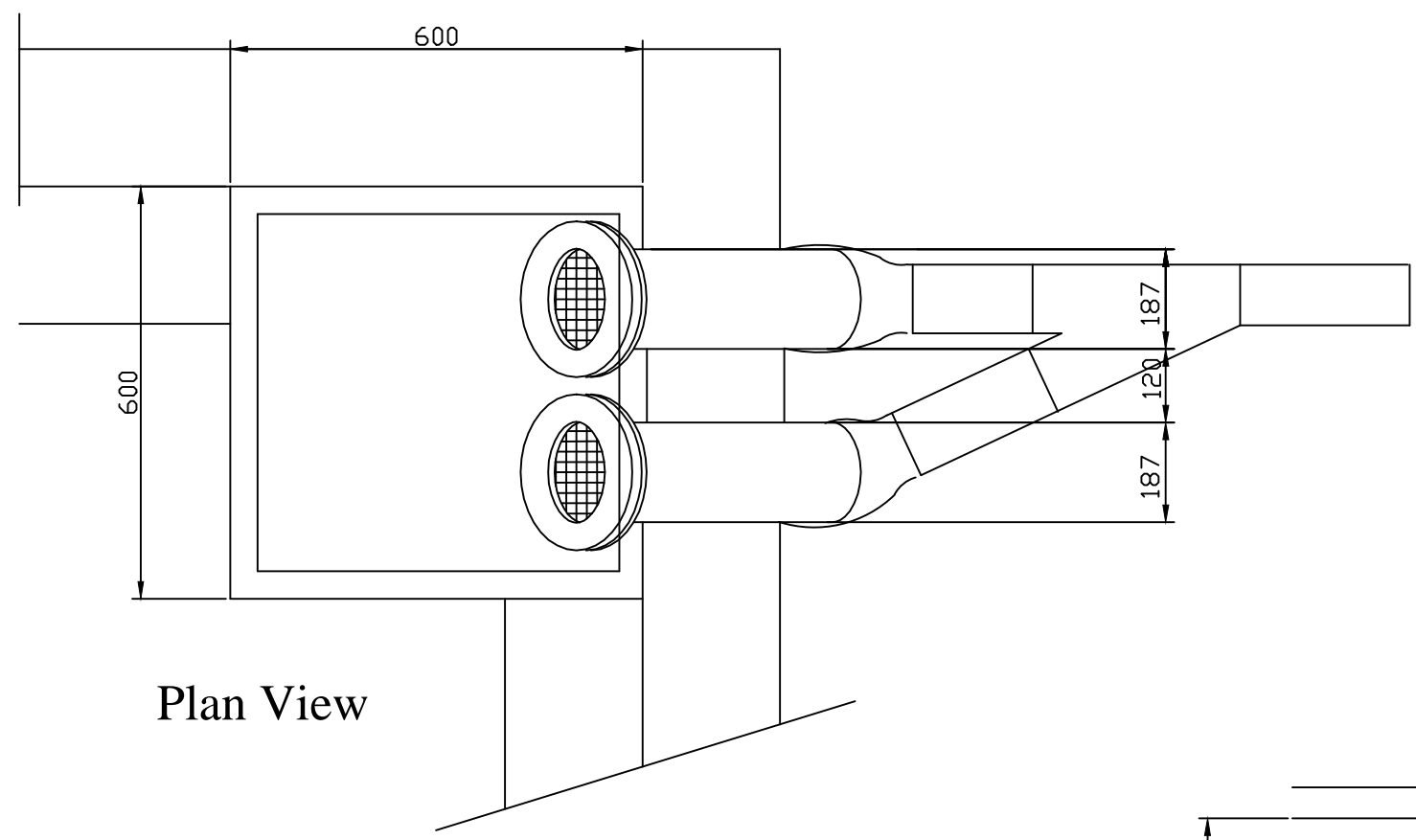
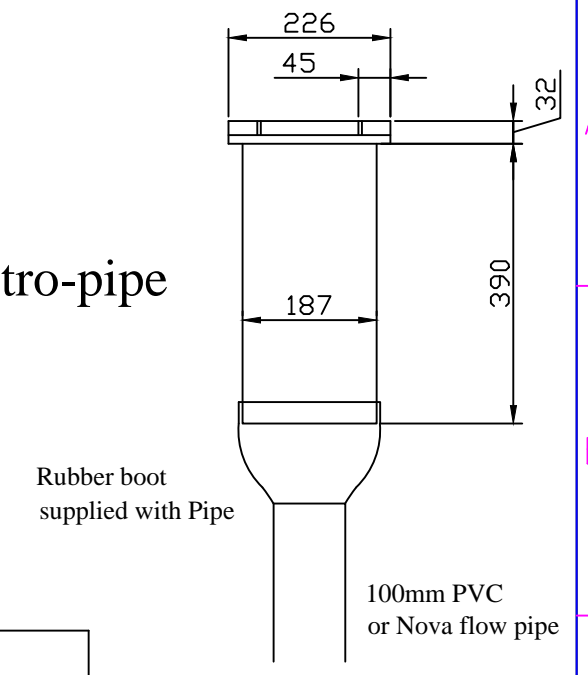


RevNo	Revision note	Date	Signature	Checked

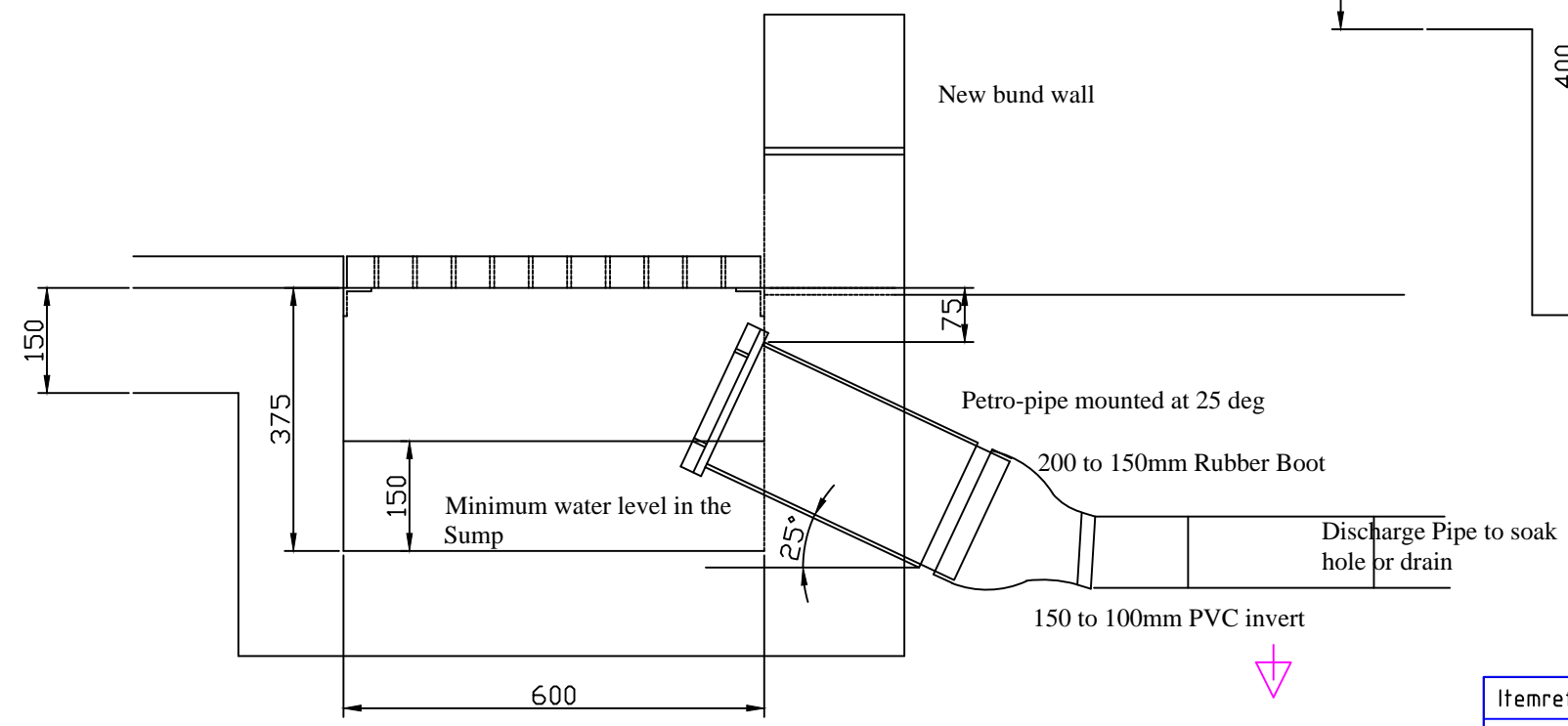


Plan View

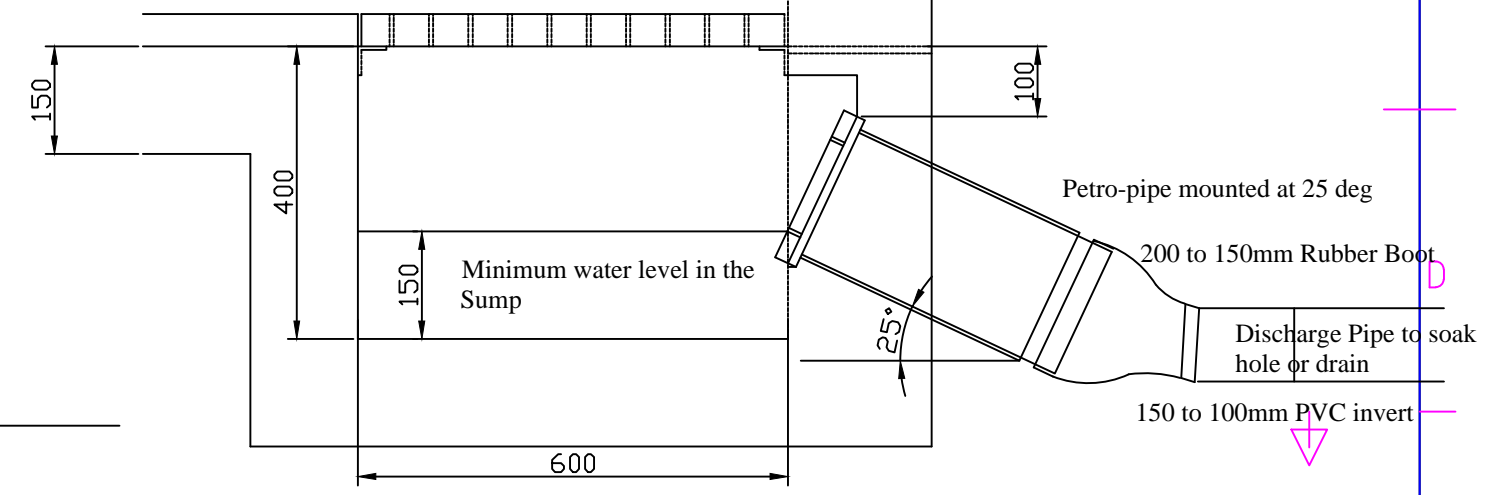
Side elevation of a 150mm petro-pipe



Rubber boot supplied with Pipe
100mm PVC or Nova flow pipe



Side Elevation - Option 1



Side Elevation - Option 2

Itemref	Quantity	150mm Petro-Pipe Installation		Article No./Reference	
Designed by OILBARRIERS_NZ	Checked by PDS	Approved by - date BMK	File name PETROPIPE	Date MAY_14	Scale 1:10
OIL_BARRIERS_AUST			150MM_PETRO_PIPE_INSTALLATION		
			PETROPIPEINSTALL		Edition A