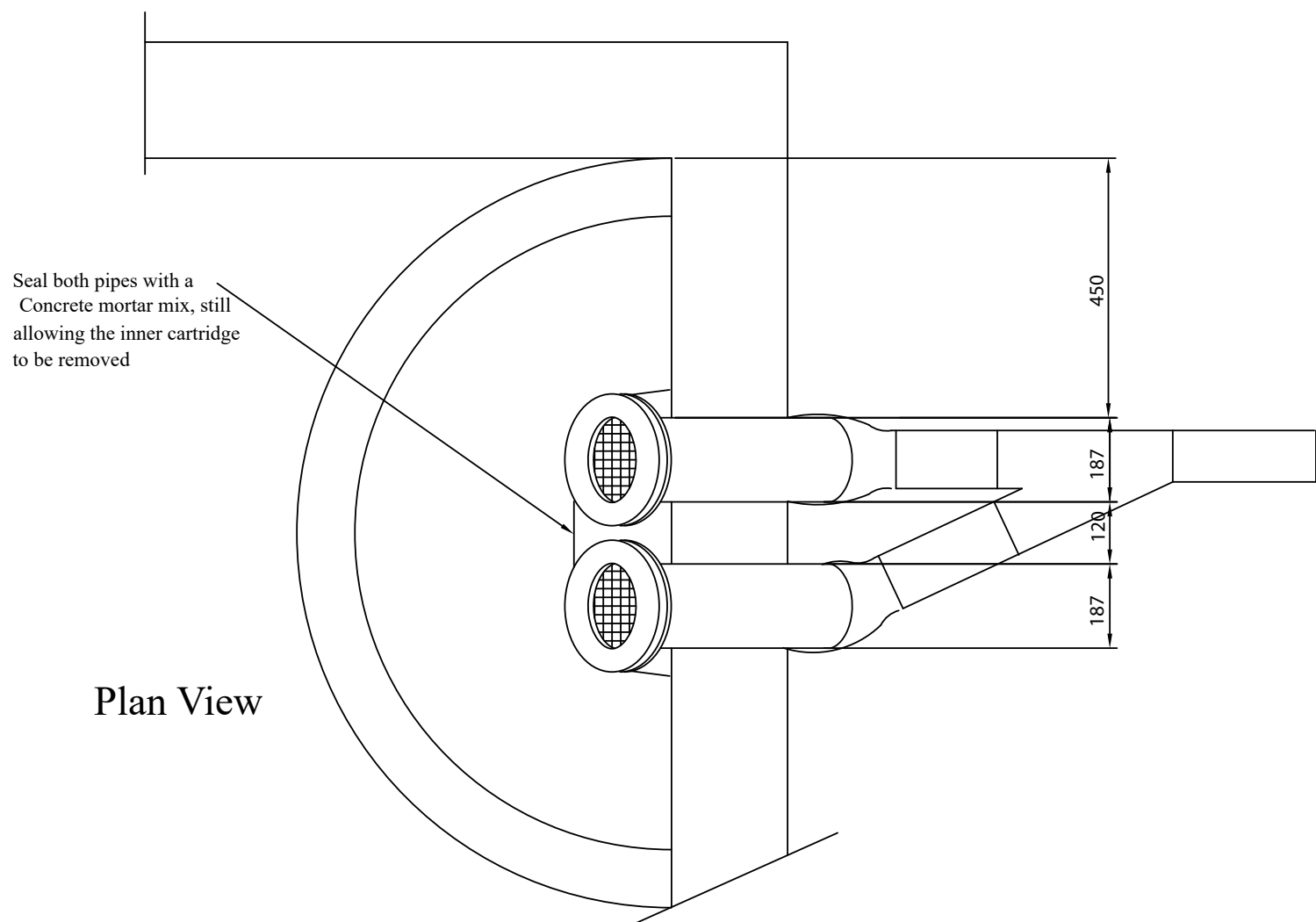
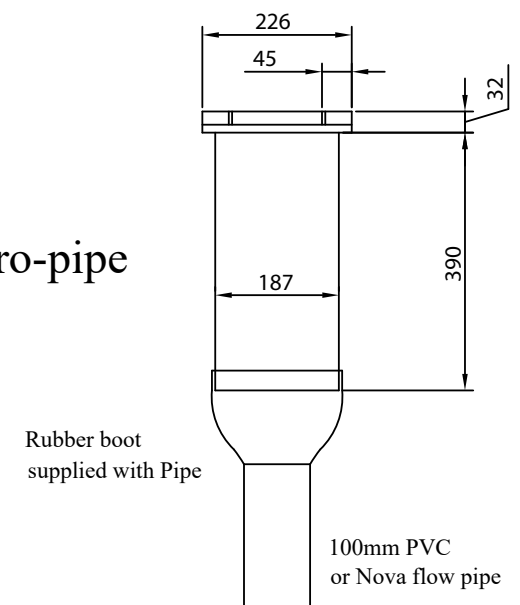


1 | 2 | 3 | 4 | 5 | 6 | 7 | 8

RevNo	Revision note	Date	Signature	Checked

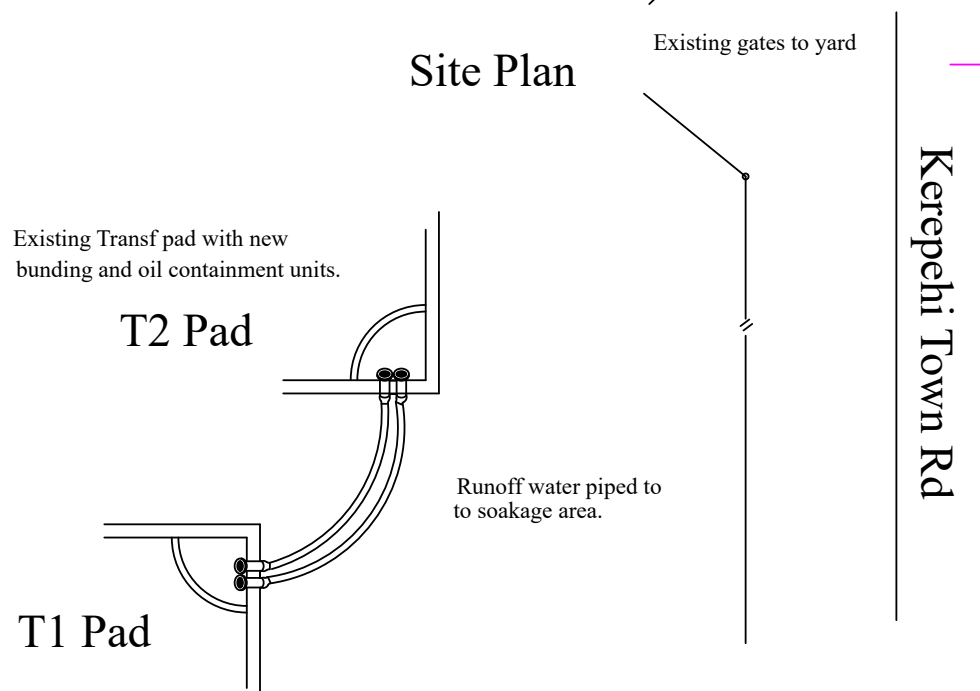


Side elevation of a 150mm petro-pipe

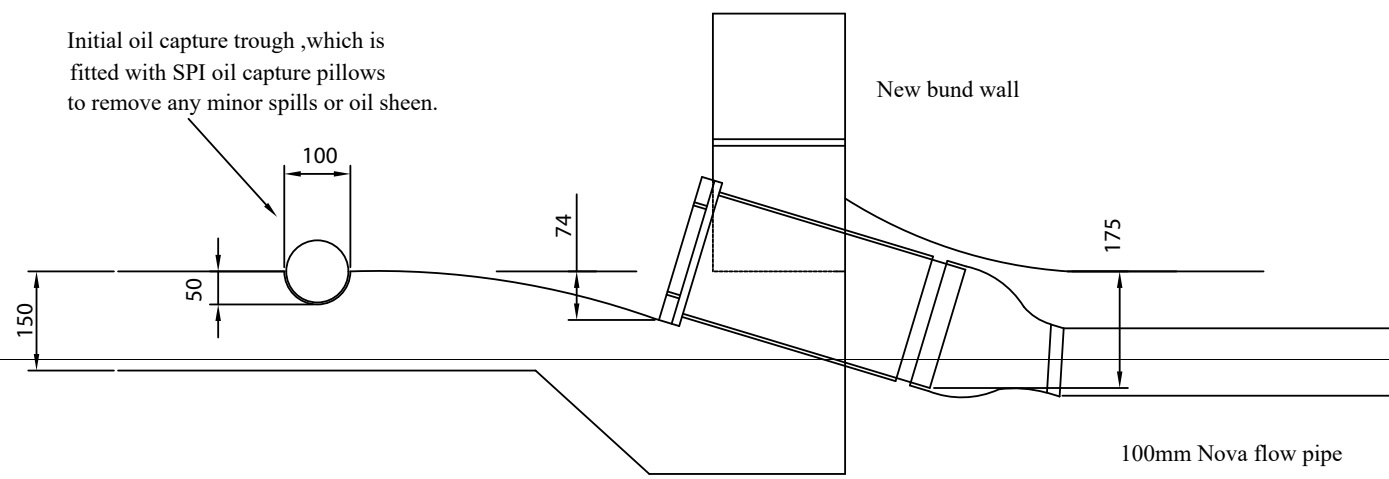


Plan View

Site Plan



Initial oil capture trough, which is fitted with SPI oil capture pillows to remove any minor spills or oil sheen.



Side Elevation

Itemref	Quantity	Kerepehi Substation SPI oilbarrier unit			Article No./Reference	
Designed by XXX	Checked by XXX	Approved by - date XXX - 00/00/00	File name XXX	Date 00/00/00	Scale 1:1	
XXX			XXX		Edition 0	Sheet 1/1

1 | 2 | 3 | 4 | 5 | 6 | 7 | 8